

waterpure

# USER MANUAL



**£20** **REFER A FRIEND**  
and receive a **£20 cash reward**  
when they buy a water distiller.

[www.waterpure.co.uk](http://www.waterpure.co.uk)  
[support@waterpure.co.uk](mailto:support@waterpure.co.uk)



Visit [waterpure.co.uk/manual](http://waterpure.co.uk/manual) for multilanguage translation

## PRODUCT SAFETY

### **PLEASE READ THESE INSTRUCTIONS BEFORE OPERATING THE APPLIANCE AND RETAIN THEM FOR FUTURE REFERENCE**

- ⇒ This product is not suitable for use by children and may not be suitable for persons requiring supervision unless they receive instruction by a competent person on how to safely use the product. Children should be supervised to ensure they do not play with the product.
- ⇒ Never use this appliance for anything other than its intended use. This appliance is for indoor use only. Do not use this appliance outdoors.
- ⇒ Always ensure that hands are dry before handling the plug, leads or switching on the appliance.
- ⇒ Always use the appliance on a stable, secure, dry and level surface in a well ventilated area.
- ⇒ Ensure that the appliance is switched off and unplugged from the supply socket before assembling or disassembling.
- ⇒ Never let the power cord hang over the edge of the worktop, touch hot surfaces or become knotted, trapped or pinched.
- ⇒ This appliance must not be placed on or near any potentially hot surfaces. (such as a gas or electric hob)
- ⇒ Never immerse any part of the appliance or power cord and plug in water or any other liquid.
- ⇒ Keep the body of the unit dry – only fill with water using a jug.
- ⇒ Pressing the front button will begin distilling cycle and unit will automatically turn off when cycle is finished. To force stop unit mid-cycle, use red switch at the back or remove power cord from socket. The front button is not used to stop the machine.
- ⇒ Leave power cord unconnected when unit is not in use.
- ⇒ Do not remove Fan Unit whilst unit is mid-cycle. Wait until unit has cooled down before removing Fan Unit.
- ⇒ Do not place anything that will obstruct the top of the Fan Unit.
- ⇒ When using the residue cleaner, the fan unit must always be off and disconnected. Do not let the water boil dry. Always supervise.

# COMPONENT LIST

Open the packaging, you will see the water distiller which is divided into two main parts, the Boiling Chamber and the Fan Unit.

First, lift out the Fan Unit and any other accessories or components in the same area. Next, remove the boiling chamber and then the collection jug which is packed inside the Boiling Chamber. Check all the components are present and undamaged. The box should contain:

**1x Boiling Chamber**



**1x Fan Unit**



**1x Collection Jug (Polycarbonate or Glass)**



**1x Jug Handle, Straps, Bolts (Glass jug only)**



**1x Residue Cleaner**



**1x Carbon Filter (Loose or installed)**



**1x Jug Guiding Cap & Lid**



**1x Glass Insert (Optional)**



**1x Power Lead UK/EU**



## SETUP

### PLEASE READ THE BELOW SETUP INSTRUCTIONS BEFORE USING THE APPLIANCE

⇒ Place the Water Distiller in a ventilated room on a flat, dry surface, such as your.

⇒ Lift off the Fan Unit and fill Boiling Chamber inside of the body up to the 'FULL' line using tap water whilst being very careful NOT to overfill chamber. (time needed to distil water can be reduced by using already hot or boiled water).



⇒ If you have the glass nozzle version, fit the glass insert into the metal nozzle with the carbon filter installed.



⇒ Place Fan Unit onto Boiling Chamber so it sits evenly around the edge. Make sure the unit is on a stable surface. Connect the power cord from the Fan Unit into back of the boiling chamber as shown. Connect power cable from wall socket into back of boiling chamber.



⇒ Place collection jug underneath fan unit nozzle using guiding cap.

⇒ Press front button. The fan unit will start automatically and the boiling chamber will begin to heat, thus starting the distilling process. **The front button is used to start the machine only. It cannot be used to stop or turn off the machine prematurely before distillation is complete.** On first use the machine may start as soon as it is



connected to the power outlet without first pressing. This will happen if the front button switch has already been pressed in whilst removing from the packaging.

⇒ Water will begin to drip into the Collection Jug after approximately 30 minutes. It will take approximately 3.5 hours to distil 4 litres of water. The unit will automatically shut down when the cycle has finished.

### **IMPORTANT**

**\*\*\* Do not use the first Jug of distilled water \*\*\***

**It will take one full 4 litre cycle for the unit to 'self clean'.**

**Wipe out boiling chamber and discard all water from Collection Jug.**

**The distiller is now ready to create distilled water.**

### **Please note**

The unit must be allowed to cool down before starting another distilling cycle (Approximately 30 minutes). The front button will be inactive during this time. This will prevent injuries from scalding water and prolong the life of the Distiller.

## CLEANING & MAINTENANCE - IMPORTANT

### GENERAL BOILING CHAMBER MAINTENANCE

Rinse and wipe out Boiling Chamber after each use once cooled down using tap water and a nylon dish brush. Use a dry cloth to wipe the underside of fan unit after each use to avoid any potential corrosion. Leave the fan off of the boiling chamber when not in use.

**IMPORTANT NOTE:** Never use abrasive cleaners e.g. steel wool or steel soap pads.

### USING THE RESIDUE CLEANER TO DESCALE BOILING CHAMBER

Calcification and residue will build up on bottom of the Boiling Chamber and should be removed every 2-4 weeks. Follow these instructions to do this:

- ⇒ Pour in enough hot water to cover residue in the boiling chamber (at least 1 litre).
- ⇒ Add 1-4 teaspoons of Residue Cleaner depending on the amount of residue.
- ⇒ **DISCONNECT AND REMOVE FAN UNIT** and start a cycle by pushing front button.
- ⇒ Once boiling, leave for 30-60 minutes before turning the machine off at the wall, then carefully pour out water and wash the inside of boiling chamber with tap water.
- ⇒ If residue is not completely removed you can repeat the process.
- ⇒ Some residue can be difficult to remove depending on your tap water quality.
- ⇒ **IMPORTANT SAFETY NOTICE** Never put the fan unit on top of boiling chamber when running cleaning cycle. Do not allow all water to fully boil and evaporate out of the boiling chamber, this will happen if you forget the machine is on and leave it running.



Scan to watch video

### FAN UNIT REQUIRED MAINTENANCE (VERY IMPORTANT)

The fan unit uses a silicon seal (gasket) to seal the boiling chamber and fan unit together (air tight). Over time the seal will gather residue and harden / crust / weaken. This will weaken the air tight seal and can cause leaking.

- ⇒ You must clean the seal once every 3 months by removing it from the fan unit, cleaning it in warm water with your hands, drying and then refitting it.
- ⇒ You should replace the fan unit seal after 12-18 months or whenever you notice the fan is no longer sealing air tight with the chamber. This is noticeable if there is a lack of suction when removing the fan off of the chamber. Replacement seals can be purchased directly here: [makewaterpure.co.uk/fan-seal](http://makewaterpure.co.uk/fan-seal)



Scan to watch video

## FAN UNIT OPERATION & MAINTENANCE

### ENSURE FAN UNIT FITTED CORRECTLY

Always ensure the fan unit is pushed down firmly onto the boiling chamber.

This helps ensure the fan and boiling chamber are air tight.



### FAN UNIT SEAL MAINTENANCE

Every 3 months, you must remove the silicon seal (pictured) and clean using your hands in warm water to rub away the residue build up.

Replace the seal with a new seal after approx 12-18 months or if you notice leaking or less water produced.

**IMPORTANT NOTE:** Lack of fan unit seal maintenance as detailed above can damage your water distiller and will not be deemed as a manufacture fault.



### REPLACING THE CARBON FILTER

The carbon filter is fitted in the metal nozzle of the fan unit. If you have the optional glass insert, the carbon filter will first fit into the glass insert which then inserts into the metal nozzle.

Each carbon filter will last a maximum of 3 months once wet (regardless of usage) and must be changed after that time. If you use the water distiller daily, change the carbon filter after 6 weeks instead.

**IMPORTANT NOTE:** Discard the first 2 litres of distilled water made after changing the carbon filter as this can contain fine carbon particles.



# GLASS JUG ASSEMBLY (TYPE 1)

## INSTRUCTIONS TO ASSEMBLE THE GLASS JUG

You will need: Glass jug, handle, 2 straps 2 screws, 2 rectangle bolts



### NOTES

These instructions are for **Type 1 handle design**. See next page for Type 2  
The main lid can be unscrewed off. Do not pull or force.

Glass Jug



1 x Handle



2 x Straps, Bolts & Nuts



1 x Jug Lid



### STEP 1

Wrap one of the metal straps around the top of the jug adjacent to the spout.

### STEP 2

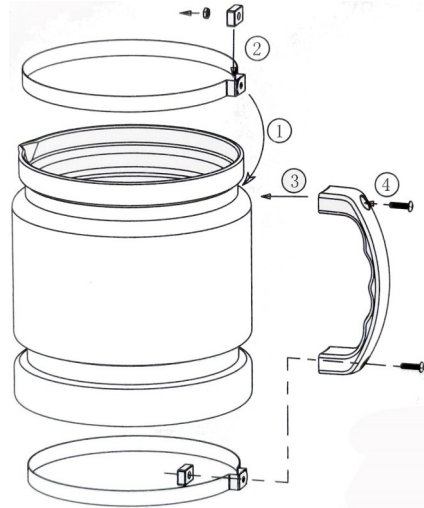
Place the rectangular nut behind the metal strap where it is indented.

### STEP 3

Fit the plastic jungle handle over the metal strap so the screw holes align with the nut.

### STEP 4

Repeat the above steps for the bottom strap before securing with the screws.



The jug lid is used to keep the pouring outlet covered whilst storing the water.



Guiding Cap (optional) is used to help align the jug with the filter nozzle during distillation.

## GLASS JUG ASSEMBLY (TYPE 2)

### INSTRUCTIONS TO ASSEMBLE THE GLASS JUG

You will need: Glass jug, handle, 2 straps & bolts, Philips screwdriver

#### **NOTE**

These instructions are for **Type 2 handle design**. See previous page for Type 1  
The main lid can be unscrewed off. Do not pull or force.



Glass Jug



1 x Handle



2 x Straps, Bolts & Nuts



1 x Jug Lid



### STEP 1

Align the jug handle adjacent to the jug pouring outlet. Then, wrap one of the metal straps around the jug as shown below.



### STEP 2

Screw the bolt through the metal strap and plastic handle until it is fixed tightly using the nut. Repeat the process on the bottom of the handle until the handle is secure.



The jug lid is used to keep the pouring outlet covered whilst storing the water.



Guiding Cap (optional) is used to help align the jug with the filter nozzle during distillation.



## FREQUENTLY ASKED QUESTIONS

### PLEASE READ THE FOLLOWING FREQUENTLY ASKED QUESTIONS BEFORE CONTACTING US

- ⇒ **Q: I ordered extra carbon filters but they are not in the box?**  
A: Carbon filters look like tea bags and will be packaged together in one single sachet.
- ⇒ **Q: The collection jug is not in the box?**  
A: The collection jug is packaged inside the boiling chamber.
- ⇒ **Q: The machine will not turn off when pressing the front button?**  
A: The front button is to start the machine only, it cannot be used to prematurely stop the machine mid cycle. To forcefully stop the machine, turn off at the wall socket.
- ⇒ **Q: The machine started as soon as connected to the mains without pressing button?**  
A: Upon first use the machine may be set to run a cycle if the front button has been pressed before connected to the mains. The front button will reset once the machine has automatically powered off allowing you to use it to start the machine next time.
- ⇒ **Q: How can I clean inside the collection jug?**  
A: Fill with 0.5 litres of water, attach the lid and thoroughly shake to rinse and clean inside. Pour away excess water and repeat this step a couple of times if needed. The glass jug has a metal lid that can be unscrewed off to clean inside.
- ⇒ **Q: There is a strong smell coming from inside the boiling chamber after distilling?**  
A: The smell comes from left behind residue which the distiller has successfully removed from the water. This will likely include heavy metals and chemicals which will give off a strong smell. This is perfectly normal and is how the distiller removes the impurities from the tap water to produce pure water. Rinse frequently to help remove.
- ⇒ **Q: The water has a flat / different taste than expected?**  
A: Distilled water is very different from tap, bottled and even filtered water in that it is free from all impurities such as chemicals, heavy metals and inorganic minerals. If drinking distilled water for the first time it can be a noticeable change and will require some getting used to. Most people adjust after 1-2 weeks. Please also read the "BREAKING IN PERIOD" page of this manual for more information.
- ⇒ **Q: Can I upgrade my warranty?**  
A: You can upgrade your warranty to 3, 4 or 5 years if you contact us within the first 28 days after your purchase. Buy via our website accessories section.
- ⇒ **Q: I'd like to refer a friend and receive my £20 cash reward, what do I do?**  
A: Simply contact us via email after they have purchased and provide us with their full name. We will then locate their order and pay you out via PayPal or Bank Transfer.
- ⇒ **Q: My Glass Jug leaks when I pour water?**  
A: The glass jug has a seal on the underside of the lid to make air tight. Check this is fitted.

## BREAKING IN PERIOD

### **NOTE: THIS IS ONLY NECESSARY IF YOU NOTICE A FAINT TASTE DURING THE FIRST FEW CYCLES WITH YOUR NEW DISTILLER**

As with any new food/beverage machine, the newness of the parts and materials e.g. stainless steel may cause a faint smell or taste during the first few full cycles of the distiller. This will naturally reduce the more the machine is used until it is no longer present.

Please be assured that the distilled water is completely pure and safe to consume after the first full cycle.

To speed up the breaking in period, you can try the following:

#### **BOILING CHAMBER**

You should clean the boiling chamber after the first few cycles with a soft sponge and water. You can also complete a cleaning cycle using the residue cleaner provided (see cleaning instructions). Thoroughly rinse after each clean.

By cleaning the unit after each cycle, the stainless steel will lose the ability to retain any new smell or taste. After the first few cycles, there should be hardly any taste or smell and you can continue to use your distiller as normal without this extra maintenance.

#### **CARBON FILTER**

A new carbon filter may contain dust/excess carbon. You can run it through one full cycle and discard the water before drinking.

However, for optimal taste you may see an improvement by removing the carbon filter from the filter nozzle located on the fan unit and soaking then gently squeezing for 30 seconds in a glass of water. This helps to release any excess carbon. Repeat this step a couple of times until the glass of water becomes less grey. You only need to do this once until the carbon filter needs changing for a new one.

#### **COLLECTION JUG**

Whether you have the glass or polycarbonate jug you should thoroughly clean before using. To do so, fill with 0.5 litres of water, attach the top and thoroughly shake to rinse and clean inside. Pour away excess water and repeat this step a couple of times if needed. The main lid of the glass jug can be twisted/unscrewed off to help cleaning inside. **Do not pull or force.**

If none of the above improve, please read the FAQ page of this manual regarding taste for other possibilities.

For more help and advice please contact our dedicated technical team direct by emailing:  
**[support@waterpure.co.uk](mailto:support@waterpure.co.uk)**

## TROUBLESHOOTING

### NOT POWERING ON

- ⇒ Front button has not been pressed in or back red switch is set to off
- ⇒ Main power cord is not plugged into power socket or Fan Unit wire not plugged into the back of the boiling chamber
- ⇒ No power from electrical outlet (Try plug it in another socket/room)
- ⇒ Fuse in power cable needs to be replaced (Replace with same amp fuse)
- ⇒ Fuse in boiling chamber needs to be replaced (this is located at the back socket)
- ⇒ Power cable needs to be replaced (Try another cable of the same type)

### NOT MAKING ENOUGH DISTILLED WATER DURING EACH CYCLE

- ⇒ Water not filled to maximum full mark
- ⇒ Water Collection Jug not correctly lined up with distiller
- ⇒ Fan unit silicon seal fitted around the underside of the fan unit is not sealing properly and may need to be removed and cleaned or replaced with a new one (Contact us)
- ⇒ Fan unit filter nozzle or glass insert not inserted correctly. Please make sure it is clipped in correctly (into the plastic slit, not above or below it).
- ⇒ Sediment in the filter nozzle and the tube needs to be rinsed

### DISTILLED WATER HAS A FAINT SMELL OR TASTE

- ⇒ Carbon filter needs changing (change every 6-12 weeks)
- ⇒ New carbon filter needs rinsing (See cleaning page)
- ⇒ Collection jug needs cleaning (See frequently asked questions page)
- ⇒ Machine is new and needs breaking in (See breaking in period page)

**Please thoroughly read all directions relating to your distiller before operating. Proper use, care and maintenance will ensure a longer product life.**

# WATER DISTILLATION FACTS

## THE HYDROLOGIC CYCLE

Distillation is as old as mother nature's 'Hydrologic Cycle'. This natural distillation method involves the sun heating the water on the earth's surface.

The water is then turned into a vapour and rises while leaving contaminants behind before forming clouds. As the upper atmosphere drops in temperature the vapours cool and convert back to water to form droplets of pure water (distilled). When these water droplets drop to the earth's surface, as snow or rain (precipitation), the cycle repeats again.

## BELOW ARE SOME FACTS REGARDING DISTILLED WATER AND DISTILLATION

- ⇒ Water distillation is known to remove the broadest range of contaminants over any other water treatment system
- ⇒ Water distillation is the most effective method for the removal of organic, inorganic and biological (bacteria, viruses, etc.) contaminants
- ⇒ Distilled water is the CLOSEST definition of PURE DRINKING WATER H<sub>2</sub>O
- ⇒ Perfectly natural water being odourless, colourless and tasteless it is the only natural solvent that can be taken into the body without damage to the tissues
- ⇒ It can act as a solvent in the body by dissolving nutrients so they can be assimilated and taken into every cell.
- ⇒ Toxins in the body can be removed as it dissolves the cell wastes
- ⇒ Helps to dissolve inorganic minerals lodged in the tissues of the body eliminating substances while purifying the body.
- ⇒ Unlike tap water leaves no residue when entering the body nor does it leach out organic body minerals
- ⇒ Distilled water is one of the most ideal water for all humans and animals
- ⇒ An ideal liquid for efficient functioning of the lungs, liver and all other vital organs.
- ⇒ Due to its purity, drug prescriptions are formulated with distilled water
- ⇒ Drinking a gallon of Distilled Water every day will bring your body to its perfect state
- ⇒ Distilled water treats / helps prevent many illnesses such as Alzheimer's & Arthritis

## WARRANTY, RETURNS, REPAIRS AND SUPPORT

### WARRANTY

The Water Pure Stainless Steel Water Distiller comes with a two year parts and labour warranty covering manufacture faults to the original customer only, unless you have purchased additional warranty cover. The glass jug and fan unit silicon seal are not covered under warranty.



Your warranty information is stored on our system therefore we only require your order number or name and address to locate your information.

If you would like to UPGRADE your warranty to 3, 4 or 5 years, please contact us within the first 28 days of your purchase or buy via our website accessories page.

### RETURNS

All returns for any reason must first be approved by Water Pure. To arrange a return, you must first contact us via [support@waterpure.co.uk](mailto:support@waterpure.co.uk) were a member of the Water Pure team will record your request and submit it for approval.

All shipping charges to and from the customer must be paid for by the customer without reimbursement. The unit should be returned in its original packaging so please retain this for 28 days.

### REPAIRS

If you have a fault with any part of your machine whether in or out of warranty please contact us via email and explain the problem. We will help diagnose the root cause of the problem and advise the best course of action. We do sell replacement parts if your warranty has expired so please contact us if you would like to purchase.

### SUPPORT

If you require help with setup, using or general advice then please first read all pages of this manual, in particular the Frequently Asked Questions page. If you are still unable to find what you are looking for then please contact us via email for dedicated support.

**Note: We do not provide telephone support for any of the above although we do aim to respond to all email queries within 24 working hours**

**SUPPORT EMAIL:  
[support@waterpure.co.uk](mailto:support@waterpure.co.uk)**

## Verification of Compliance



No. EC.1282.01130720.SZS1694

**Certificate's Holder:** HENAN B  
 NO.2 NONGYE ROAD,JINSHUI  
 ZONE,ZHENGZHOU,450000,HENAN ,CHINA

**Product:** Water Distiller  
**Model(s):** ZB-1, ZB-2, ZB-3

**Directives:** 2006/95/EC Low Voltage  
 2014/35/UE Low Voltage

**Standards:** EN 60335-1:2012

**Remark:** This Verification of Compliance has been issued on a voluntary basis. ECM confirms that a Technical Construction File (TCF) is existent for the above listed product(s). The TCF satisfactorily covers the essential requirements of the above listed Directive(s). Other relevant Directives have to be observed in case they are applicable. This Document is only valid for the equipment and configuration described and in conjunction with the TCF detailed above. Whereas the Manufacturer is responsible of the certification of the product(s) and not exempted to perform all the necessary activities before placing the product(s) on the market. The Manufacturer is also responsible of the internal production control to ensure the product(s) are in compliance with the essential requirements of the above mentioned Directive(s). This certificate can be checked for validity at [www.entecerma.org](http://www.entecerma.org)

Date of issue JULY 2013

Certification Chief Manager  
 Tim Mahan



Certification Deputy Manager  
 Jane Risse



Ente Certificazione Macchine

Suite 6 - 313-314 Upper Street - London N1 2XQ - UK

+44 (0) 207 317 0631 +44 (0) 207 317 0610 certification@entecerma.org www.entecerma.org

## EU / UK CA DECLARATION OF CONFORMITY (DoC)

I, J McCoy, acting on behalf of **WATERPURE**, as the authorised representative for the manufacturer, declare with full responsibility that the model '**Water Distiller**', which concerns this declaration, complies with:

### DIRECTIVES:

2006/95/EC | 2014/35/U.E Low Voltage Directive

### STANDARDS:

EN EN 60335-1:2012

### TECHNICAL DOCUMENTATION FILES:

The full technical documentation files can be made available on request by emailing [support@waterpure.co.uk](mailto:support@waterpure.co.uk)

### REMARK:

This Declaration of Conformity replaces all previous ones of this model

**Signed By:** Jamie McCoy (MD)

**Date:** 01/06/2023



### REFER A FRIEND

We're offering every customer a **£20 cash reward** each time a friend is referred by you to our official website [www.waterpure.co.uk](http://www.waterpure.co.uk) and purchases a water distiller.

**£20** **REFER A FRIEND**  
and receive a **£20 cash reward**  
when they buy a water distiller.

That means for example if you refer 5 friends and they all purchase a water distiller, you'll receive **£100 cash!** Visit [www.waterpure.co.uk/refer-a-friend](http://www.waterpure.co.uk/refer-a-friend) for more information.

### WATER DISTILLER ACCESSORIES

You can purchase accessories for your water distiller such as extra warranty, additional jugs, residue cleaner and carbon filters direct from our website. Simply visit [www.waterpure.co.uk/water-distiller-accessories](http://www.waterpure.co.uk/water-distiller-accessories)

### FOLLOW US ON SOCIAL MEDIA



We are on Facebook, Twitter, Instagram & Youtube just search 'Water Pure' and like or follow our page.

### LEARN ABOUT DISTILLED WATER

The biggest issue with the water we all consume is the majority of us simply do not know what is in it let alone understand the effects unnatural chemicals, minerals and contaminants can have on us.

We have created a number of pages and blogs on our website that cover what we consider to be the main points concerning our drinking water and why we should only drink distilled water, mother nature's gift to us which has been the source of water for every plant, animal and human being since time began.

Please take the time to educate yourself and share this information with others.

Visit [www.waterpure.co.uk](http://www.waterpure.co.uk) for more information.

**waterpure**